



Installation Information

42mm Slat Aluminium Domestic Roller Shutter

domesticrollersystems.com

Installation Information:

This document forms part of the installation information supplied with your roller shutter. It should be read in full before installation begins and retained for future reference.

Supply-Only Responsibility:

This product has been supplied on a supply-only basis. Installation is not included.

Domestic Roller Systems is not responsible for:

- Installation workmanship or method
- Structural suitability of the opening
- Selection or use of fixings
- Damage occurring during or after installation

All installation work is carried out entirely at the customer's or installer's risk.

Installer Competence:

Installation should only be undertaken by a competent DIY installer or a suitably qualified tradesperson. If you are unsure at any stage, professional installation is strongly recommended.

Electrical Disclaimer (motorised shutters):

Motorised roller shutters contain electrical components.

Any mains-powered electrical connection must be carried out in accordance with current UK regulations by a competent person. Domestic Roller Systems does not provide electrical installation services for supply-only orders and accepts no responsibility for incorrect wiring, power supply issues, or resulting damage.

Solar-powered motorised shutters must also be installed strictly in accordance with the manufacturer's instructions.

Order Receipt Checklist:

Please check all items listed below immediately upon delivery. Any missing or damaged components must be reported before installation begins.

- 1 × assembled roller box including slat curtain
- 2 × guide tracks (left and right)
- Control components, as ordered:
 - Strap coiler – strap and coiler box
 - Spring & lock – 3 × keys and pull handle
 - Motorised – switch or remote
 - Motorised with manual override – switch or remote and key + crank
- 1 × fixing pack containing:
 - 6 × wall plugs (rawl plugs)
 - 6 × fixing screws
 - 6 × hole plugs (surface fit orders only)
 - 2 × track end inserts (surface fit orders only)

Fixings are supplied as a convenience only and may not be suitable for all wall types.

If any items are missing or damaged email contact@domesticrollersystems.com immediately with photographs of the issue.

Packaging should be retained until installation is complete.

Acknowledgement

I confirm that I have received the above items, checked the contents upon delivery, and understand the supply-only nature of this product and the installation responsibilities outlined in this document.

Signature: _____ Date: _____

Name (print): _____ Order reference: _____



Possible installations

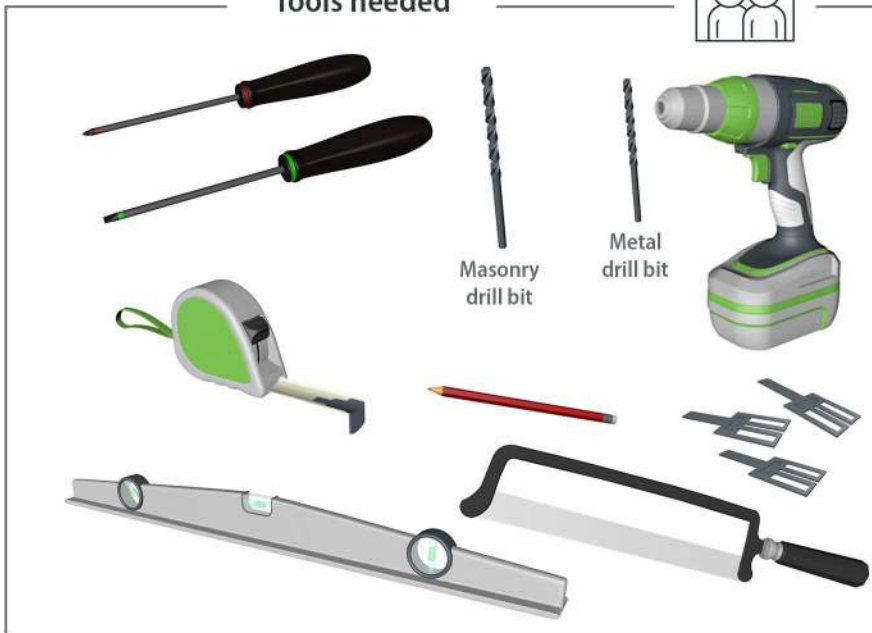
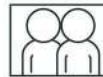
Recess fit A: Outward roller



Recess fit B: Inward roller



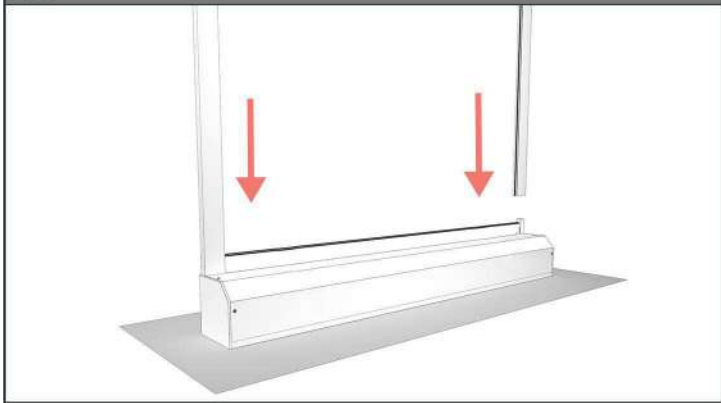
Tools needed



Face fit: Outward roller

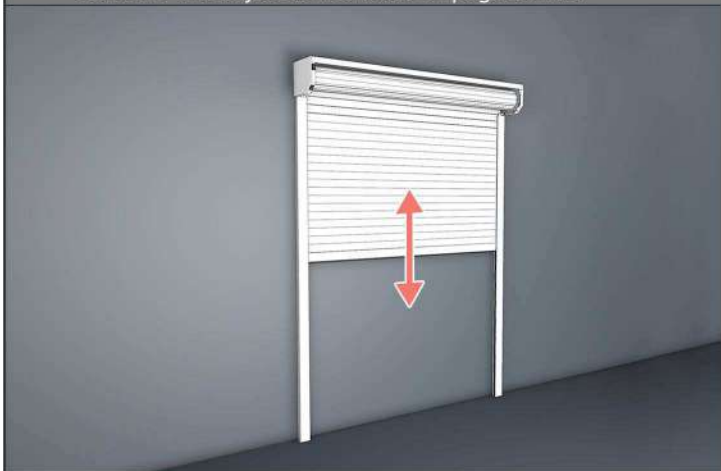


1 Slot the guides onto the upturned roller shutter box.



3 Position the shutter against a wall to check the top and bottom stop limits are correctly set.

If they are correctly set, go to the next step. If not, unscrew the box cover and adjust as instructed on page 8 and 9.



2 Before installation, please double check your dimensions correspond to your roller shutter.

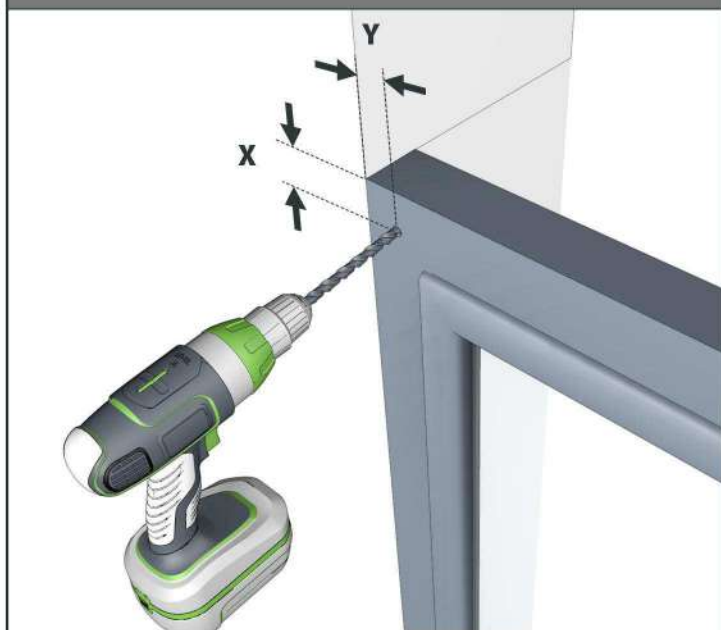
If you have purchased a made to measure roller shutter from us and the dimensions aren't what you ordered - please get in touch.



4 Measure X and Y dimensions for control output on roller box and transfer to window frame - must be set at least 30mm in. For face fit installations adapt the same principle to the wall.



5 Carefully drill according to your control type and placement. For face fit installations adapt the same principle to the wall.



Drill bit size to use

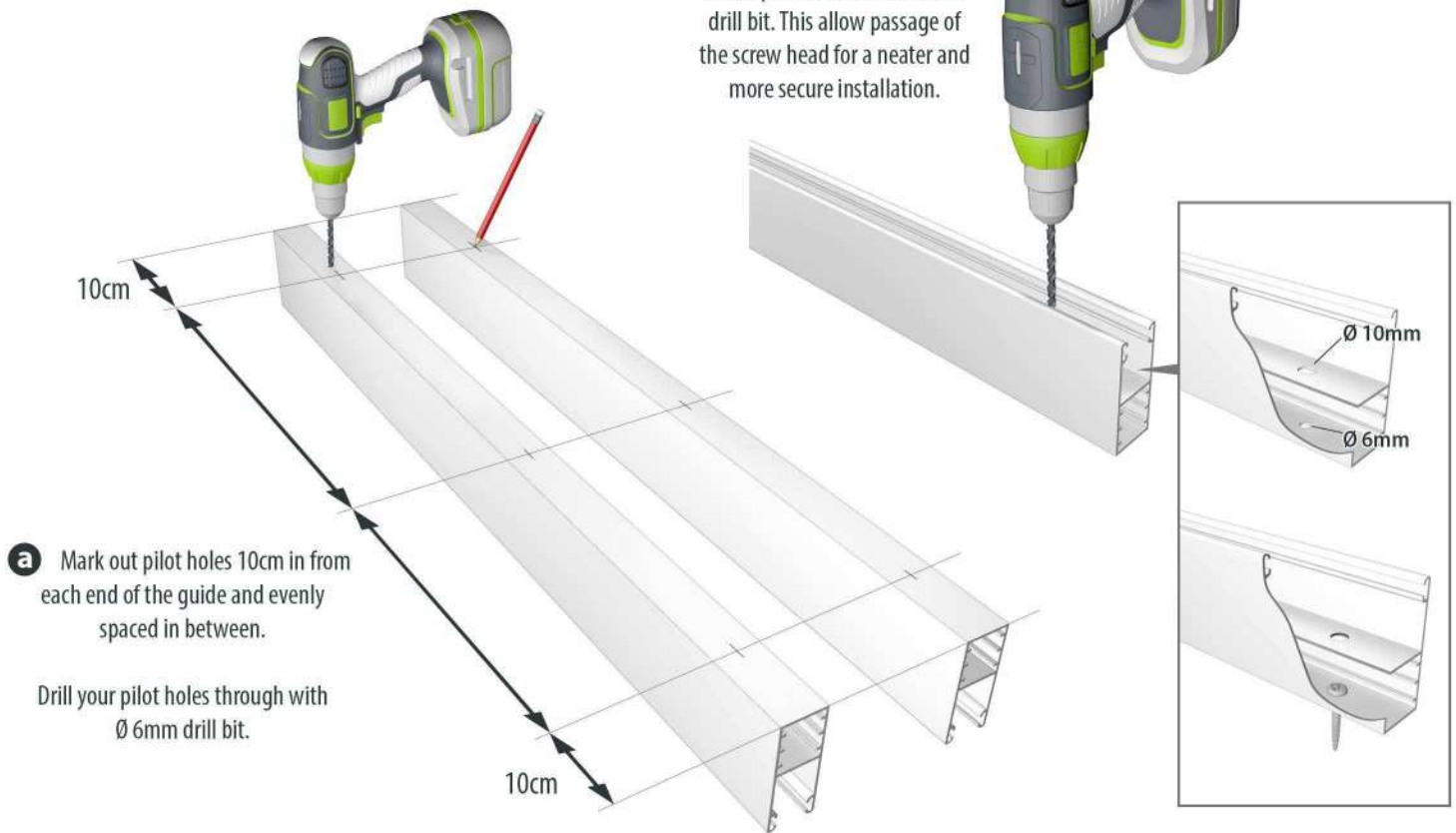
Motor

Ø 10 mm

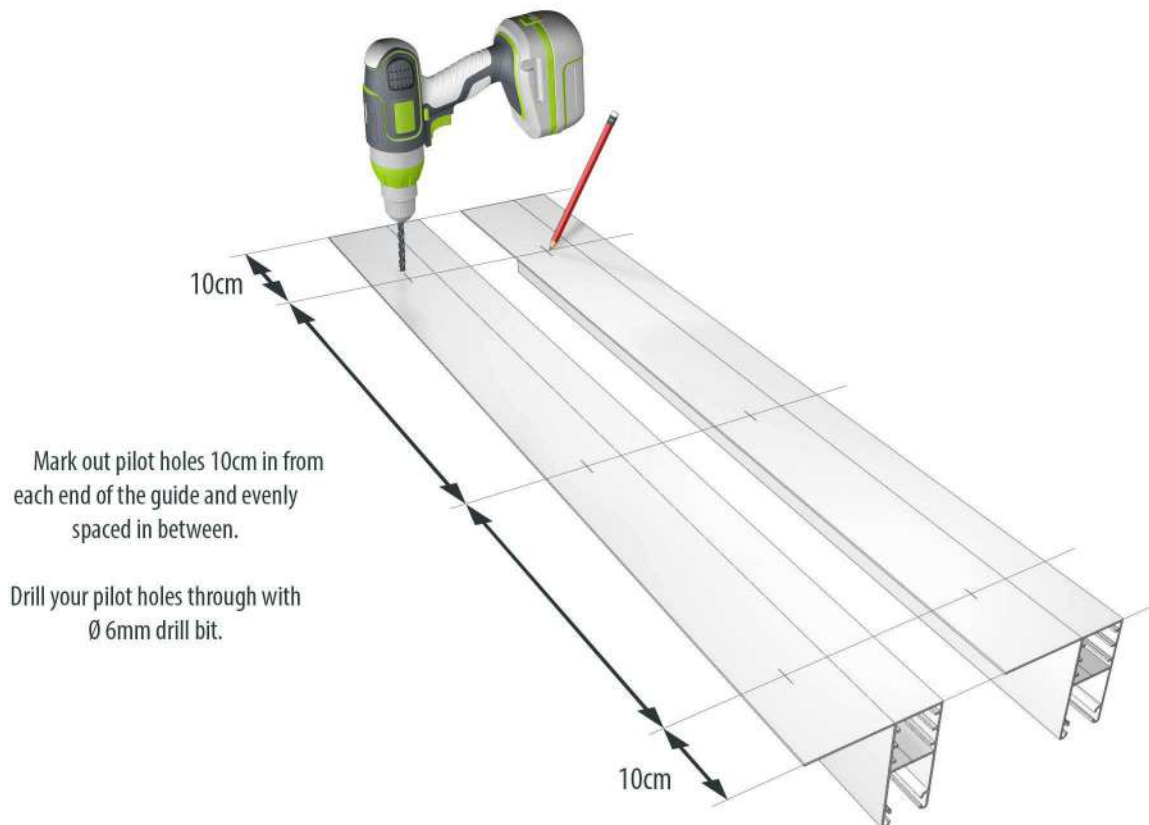


How to drill the "U" guides for recess fitting :

b Flip the guides and drill the inside pilot hole with $\varnothing 10\text{mm}$ drill bit. This allow passage of the screw head for a neater and more secure installation.

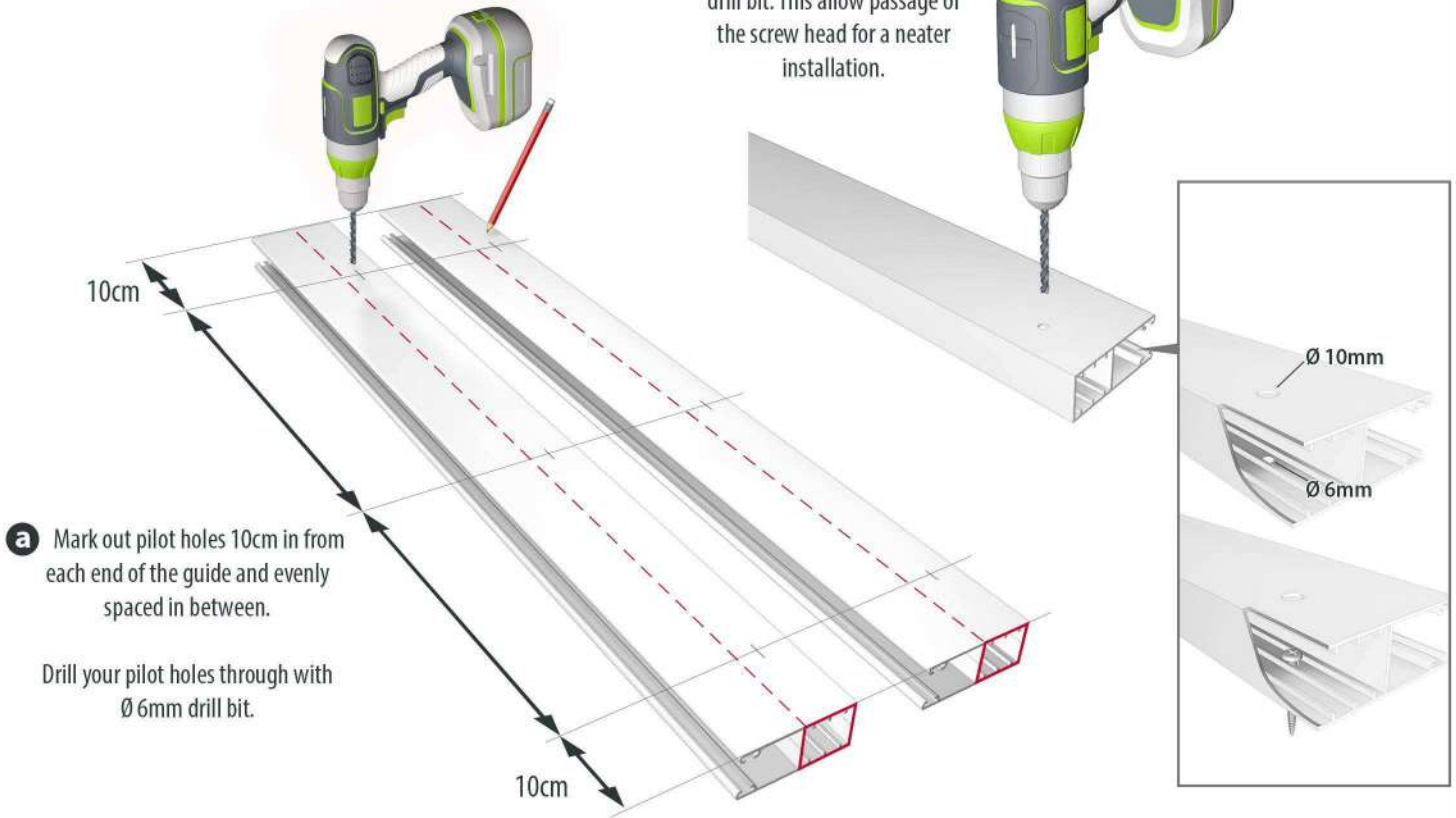


How to drill the "L" guides for recess fitting :



How to drill the guides for face fitting :

- b** Flip the guides and drill the outside pilot hole with $\varnothing 10\text{mm}$ drill bit. This allow passage of the screw head for a neater installation.



- 7** For face fit installations only:
Fit & screw end pieces into the bottom of the guides.



- 8** Slot the guides back into the box, with the previously drilled 6mm diameter pilot holes against the frame/wall. Put the complete shutter into position and adjust until levelled.

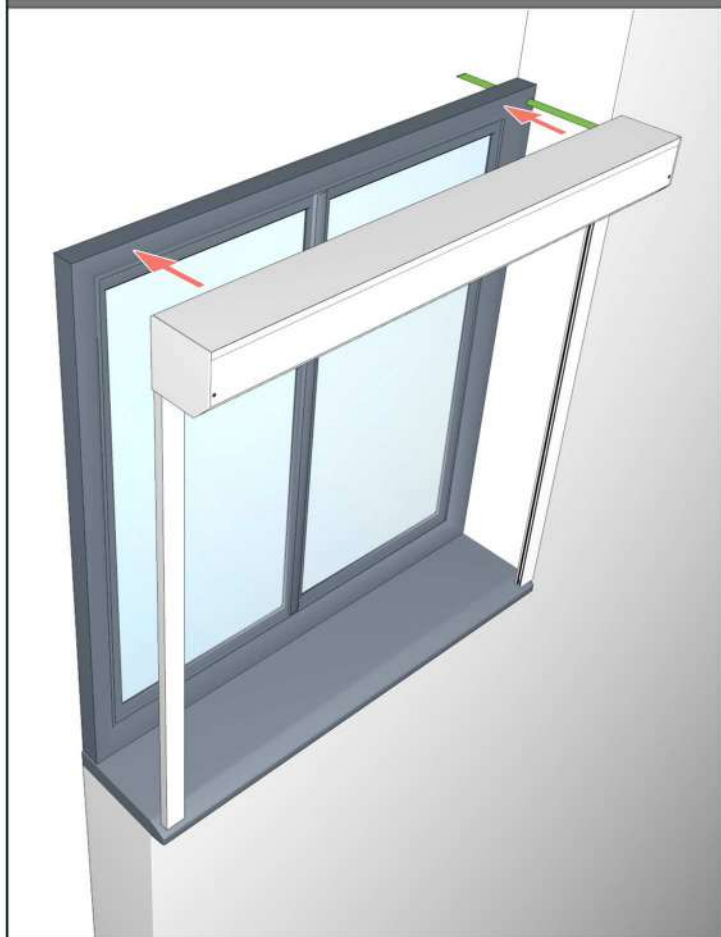
Once levelled mark out your guide fixing points for drilling.



9 Remove the shutter and drill pilot holes for your guide support screws.



10 If applicable, run the coiler strap through the previously drilled hole in the frame/wall and reposition the shutter.



11 Screw the shutter guides to their fixing points.



FINISHING

Apply a silicon seal around your join to ensure complete insulation.

If you'd like to match your silicon colour to your shutter - go to <http://avosdim.com/uk> and find your product or get in touch to find out the specific RAL.



If you have a larger gap to fill - try a foam seal or similar.

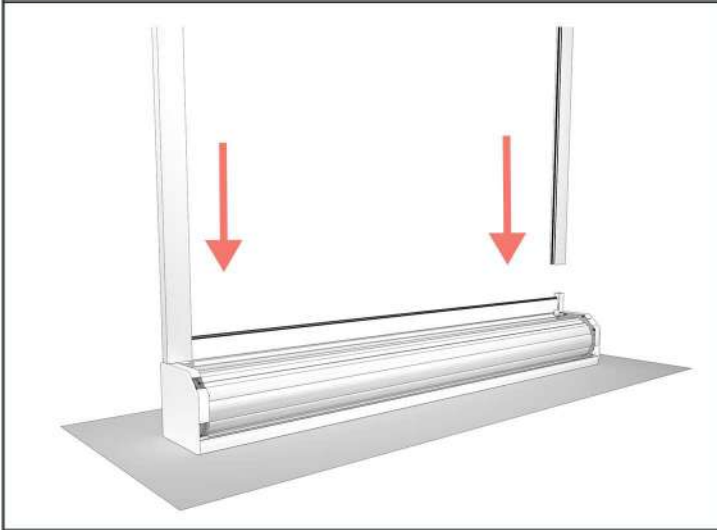


For external installations - place the screw cover caps onto the open holes.



SETTING MOTOR STOP LIMITS

1 Slot the guides onto upturned roller shutter box.

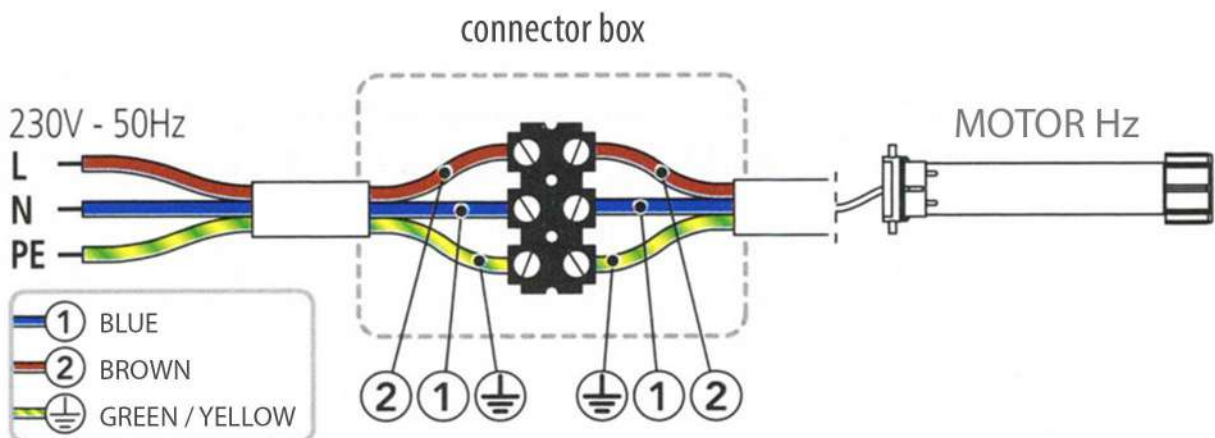


2 Position the shutter against a flat vertical surface.



Before any adjustments...
TURN OFF THE POWER SUPPLY

3 Referencing the diagram - make the connections.



4 Setting stop limits

After connecting the roller shutter to the mains, restart the power

Setting shutter direction

- a** Simultaneously press **up** and **down** controls to begin configuration. Then each individually. (Telis remotes only - not possible with Inis)

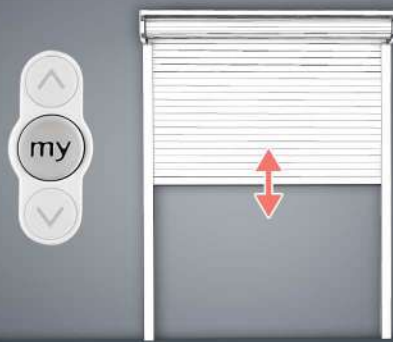
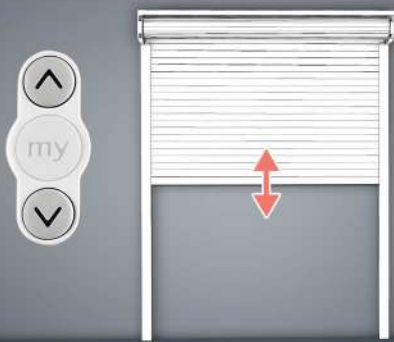
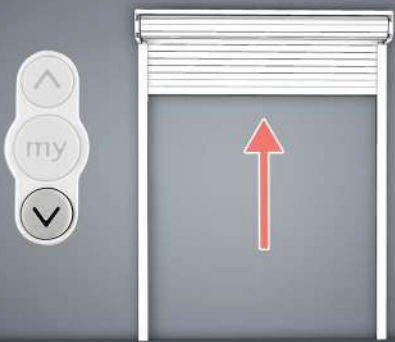
If the curtain goes up instead of down, or vice versa proceed to step B. If the curtain responds correctly, proceed directly to the *Setting Stop Limits* section.

- b** Simultaneously press both the **up** and **down** buttons on the remote.

A brief back and forth movement of the shutter will validate the procedure.

- c** After correctly initiating the process in the previous step - press the **my** button.

A similar up and down movement will validate the reversal of the shutter direction.



Setting the stop limits

- a** Simultaneously press the **my** and **down** for 1 second - then release both buttons.

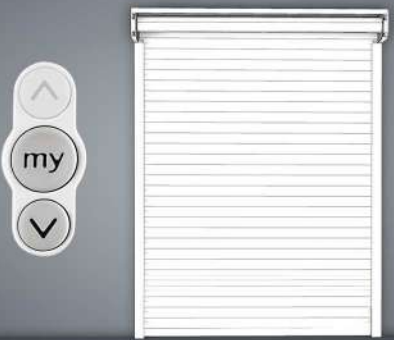
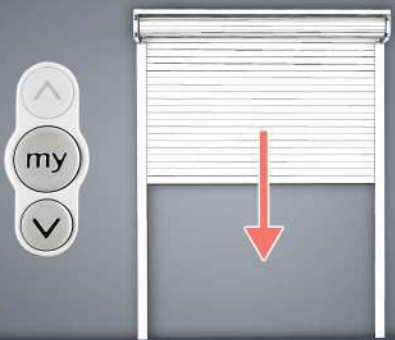
The shutter will start to lower.

- b** Wait for the shutter to reach the required lower limit point and press the **my** button.

It is possible to keep adjusting by pressing the **down** button then the **my** button.

- c** Press the **my** button until a short movement back and forth confirms the procedure.

The lower stop limit is now set.



- d** Simultaneously press the **my** and **up** buttons for 1 second, then release both.

The shutter will start to raise.

- e** Wait for the shutter to get to the required upper limit, then press the **my** button.

It is possible to keep adjusting by pressing the **up** key and stopping with the **my** button.

- f** Press the **my** button until a short movement back and forth confirms the procedure.

The upper limit is now set.

